

**RYOBI  
ELECTRIC PRESSURE WASHER  
ITEM NO. RY141612  
MFG. NO. 090079370  
REPLACEMENT PARTS LIST**

**TECHTRONIC INDUSTRIES POWER EQUIPMENT**

1428 Pearman Dairy Road, Anderson, SC 29625

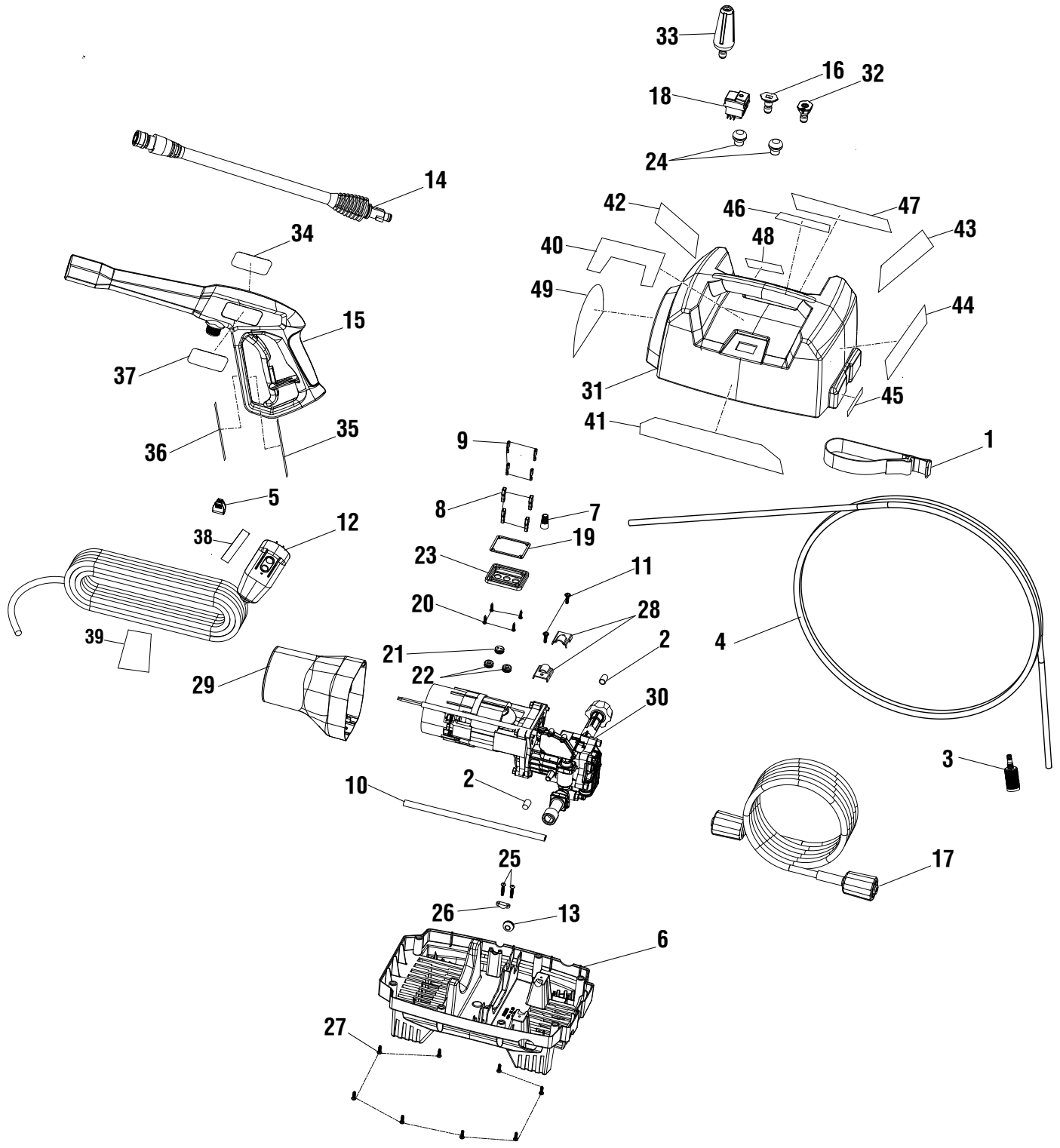
Phone 1-800-860-4050

[www.ryobitools.com](http://www.ryobitools.com)

995000189

12-13-17 (Rev:01)

RYOBI ELECTRIC PRESSURE WASHER – MODEL NO. RY141612



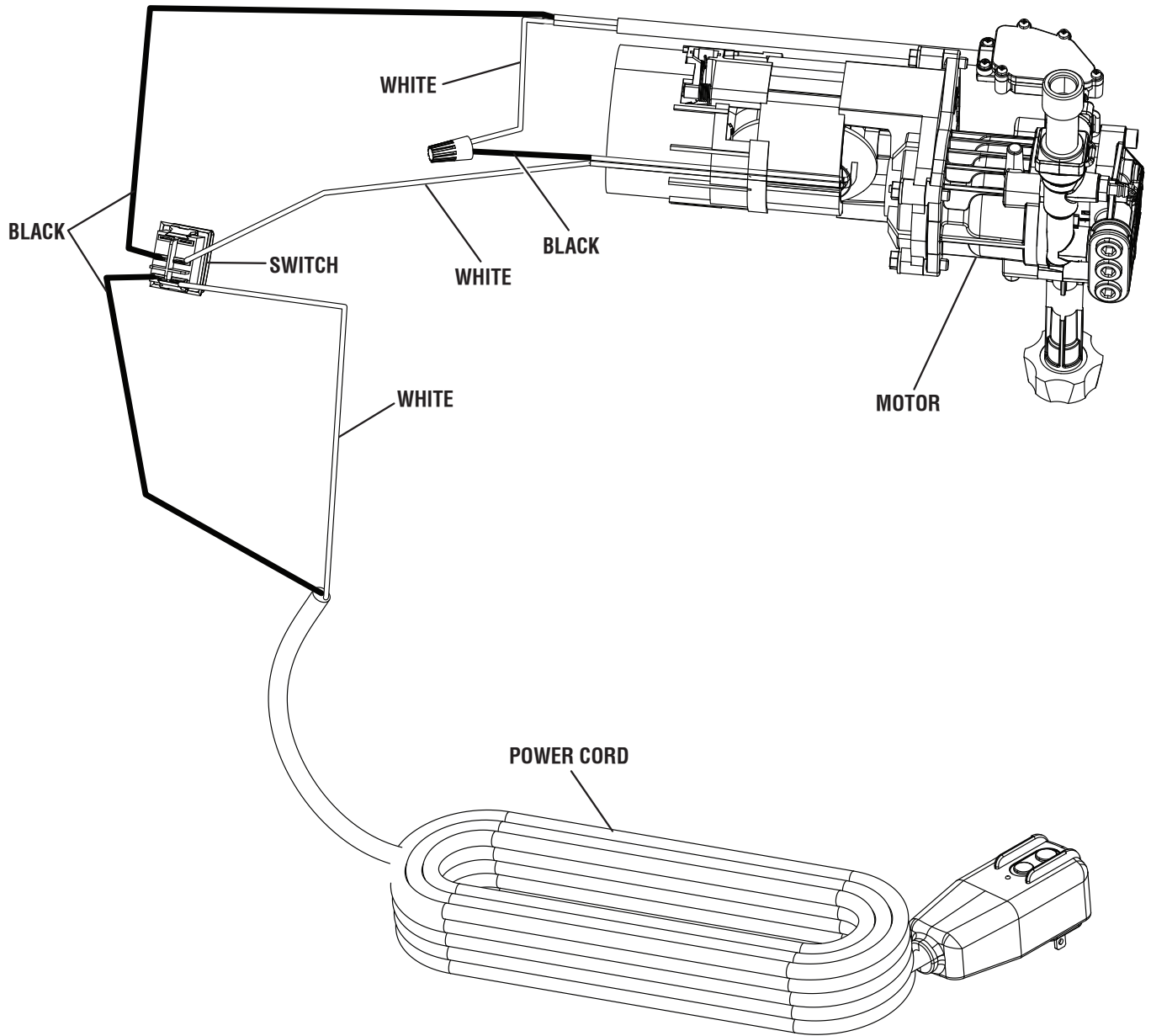
## RYOBI ELECTRIC PRESSURE WASHER – MODEL NO. RY141612

The item number will be found on a label attached to pump housing. Always mention the model number in all correspondence regarding your **PRESSURE WASHER** or when ordering replacement parts.

KEY NO.	PART NUMBER	DESCRIPTION	QTY	KEY NO.	PART NUMBER	DESCRIPTION	QTY
1	310801001	Hose Storage Strap.....	1	28	636204001	Motor Clamp Plate.....	2
2	570570002	Shock Absorbing Bushing.....	2	29	522038007	Air Shroud .....	1
3	308103015	Chemical Siphon Filter.....	1	30	<b>NOTE A</b>	Motor and Pump Assembly.....	1
4	561399003	Detergent Injection Hose.....	1	31	522032037	Upper Housing .....	1
5	528499001	Cord Clip .....	1	32	308698028	15° Nozzle .....	1
6	522038031	Lower Housing .....	1	33	308311014	Turbo Nozzle .....	1
7	870601001	Wire Nut .....	1	34	940786053	Trigger Handle Logo Label.....	1
8	527784005	Sleeve.....	2	35	940324024	Trigger Handle Warning Label (French/Spanish) .....	1
9	630236004	Terminal Connector .....	2	36	940904003	Trigger Handle Rating Label.....	1
10	570113003	Thermal Sleeve.....	2	37	940324040	Trigger Handle Warning Label (English).....	1
11	661403014	Screw (M4.2 x 16 mm, Washer Hd.)....	2	38	940324013	Cordwrap Warning Label .....	1
12	290426022	Power Cord Assembly.....	1	39	940603006	Cord Plug Label .....	1
13	561383025	Grommet (Housing) .....	1	40	940698055	On/Off Label.....	1
14	308494075	Spray Wand Assembly .....	1	41	940779213	Performance Label.....	1
15	308760059	Trigger Handle .....	1	42	961039007	Nozzle Hangtag.....	1
16	308706013	Soap Nozzle .....	1	43	940473008	Notice/Warning Hang Tag .....	1
17	308835074	High Pressure Hose .....	1	44	940707038	Danger Icon Label (English/French).....	1
18	760504007	Power Switch .....	1	45	940786062	Soap Tube Attachment Label... 1	
19	570740016	Gasket (Switch Cover).....	1	46	940786059	Nozzle Selection Label.....	1
20	661403015	Screw (M2.9 x 14 mm) .....	4	47	940617193	Starting Instructions Label .....	1
21	561383024	Grommet (Motor Wire).....	1	48	941486008	Inquiries Label .....	1
22	561383012	Grommet (Id7.2 x OD11) .....	2	49	940654339	Regulatory Danger Label.....	1
23	570417002	Switch Cover.....	1		<b>Not Shown:</b>		
24	561383021	Nozzle Grommet .....	2		995000187	Operator's Manual	
25	661610008	Screw (M3.5 x 20 mm) .....	2				
26	522051003	Cord Clamp.....	1				
27	661403016	Screw (M4.2 x 15 mm) .....	8				

**NOTE A:** Techtronic Industries Power Equipment, Inc. will not provide a complete motor/pump as a replacement part. Contact our service department for assistance.

**RYOBI ELECTRIC PRESSURE WASHER – MODEL NO. RY141612**



**WIRING DIAGRAM**